

**E..PCM**

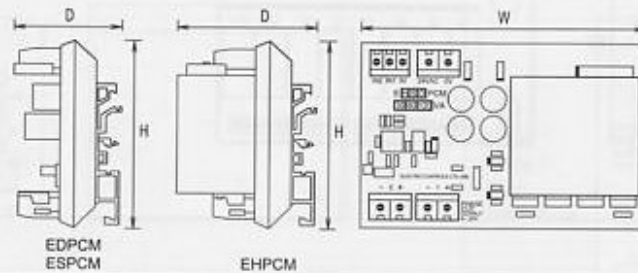
- These units convert one or two 0-10vdc inputs to one or two 0-20V phase-cut outputs to control Staefa 2 wire valves and Belimo actuators.



Input current < 1mA  
**Use the correct size transformer for the VA rating of the actuator / valve.**  
 The output signal varies at the same rate as the input signal.  
 Humidity 0-90%RH non condensing  
 Ambient -10 /+50°C  
 Consumption 51mA      Flammability = UL94-V0

Type	Power Supply ±15%	Input Signal	Output Signal	Max Actuator Rating	Mounting	Enclosure
<b>EDPCM</b>	24VAC	2 x 0-10VDC	2 x 20V	<b>30VA/channel</b>	Din Rail	IP00
<b>ESPCM</b>	24VAC	1 x 0-10VDC	1 x 20V	<b>60VA</b>	Din Rail	IP00
<b>EHPCM</b>	24VAC	1 x 0-10VDC	1 x 20V	<b>120VA</b>	Din Rail	IP00

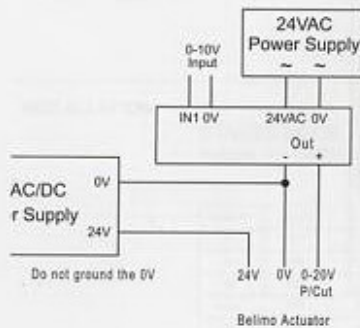
**DIMENSIONS:**



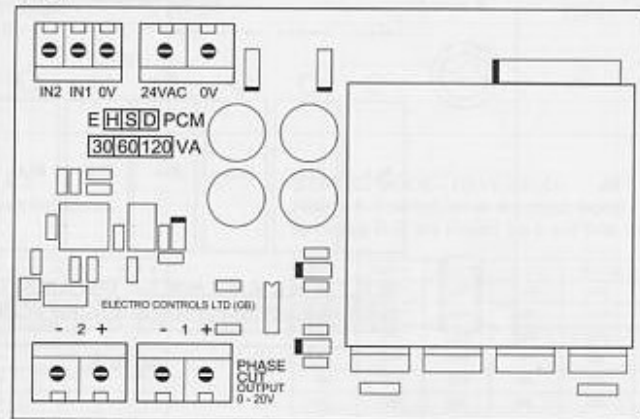
	H	W	D
<b>EDPCM</b>	77	114	48
<b>ESPCM</b>	77	114	48
<b>EHPCM</b>	77	114	62

**WIRING:**

Example for wiring to Belimo Actuator



EDPCM  
ESPCM  
EHPCM



For the 24VAC POWER SUPPLY select transformer VA rating according to actuator rating.

**NOTE:** The ESPCM & EHPCM can only be used for 1 x 0-10VDC input & 1 x 0-20V phase cut output using channel 1. The EDPCM can be used for 2 x 0-10VDC input & 2 x 0-20V phase cut output using channels 1&2.

If the 0-10VDC input signal is removed, that channel will be cut off.  
**THE OUTPUTS MUST NOT BE CONNECTED OR DISCONNECTED WHEN THE UNIT IS POWERED AS THIS WILL DAMAGE THE UNIT.**

**INSTALLATION:**

Terminals 0.5-2.5mm<sup>2</sup> rising clamps. Min sensor / control signal cable size 7/0.2mm. Max length 100m  
 Screened cable is recommended, the screen should be earthed at controller end only  
 Keep sensor/control signal wires away from power cables/units which may cause interference.